

LV CURRENT LV VOLTAGE TRANSFORMERS



**LV CURRENT
LV VOLTAGE
TRANSFORMERS**

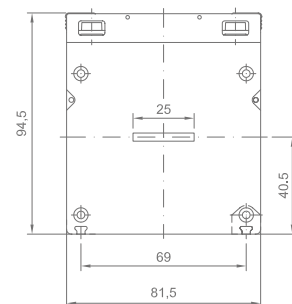
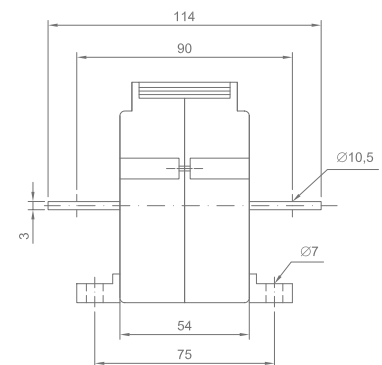
LV CURRENT & VOLTAGE TRANSFORMERS

CONTENTS

01/02	LV CURRENT TRANSFORMERS LV Current Transformers ASB LV Current Transformers ADK300
03/04	LV Current Transformers ADK400 LV Current Transformers ADS20
05/06	LV Current Transformers ADS20R LV Current Transformers ADG20
07/08	LV Current Transformers ADGP20 LV Current Transformers ADK2010
09/10	LV Current Transformers ADKP2010 LV Current Transformers ADK3010
11/12	LV Current Transformers ADB30 LV Current Transformers ADK2110
13/14	LV Current Transformers ADK4012 LV Current Transformers ADK4010
15/16	LV Current Transformers ADB40 LV Current Transformers A50
17/18	LV Current Transformers ADK6030 LV Current Transformers ADS62
19/20	LV Current Transformers ADB80 LV Current Transformers ADS100
21/22	LV Current Transformers ADB120 LV Current Transformers ADB127
23/24	SUMMATION CURRENT TRANSFORMERS and LV VOLTAGE TRANSFORMERS
25/26	Summation Current Transformer TA2-1, TA3-1 Summation Current Transformer TA2-2, TA3-2, TA4-2, TA5-2, TA6-2 LV Voltage Transformers
27/28	LV Voltage Transformers VM-1 LV Voltage Transformers VM-2
29/30	LV Voltage Transformers VMF LV Voltage Transformers 3VM-1
31/32	LV Voltage Transformers 3VM-2 LV Voltage Transformers 3VM-F
33	LV Voltage Transformers MKT



Secondary current		5A			1A	
Primary current A	Burden VA	Accuracy class			Accuracy class	
		1 Art.-no.	0.5 Art.-no.	0,5 Sealed Art.-no.	1 Art.-no.	0.5 Art.-no.
15	5	1005480	1005478	1005483	1021682	1021680
	10	1005481	1001636	1005484	1021683	1015215
	15	1005482	1005479	1005485	1021684	1021681
20	5	1005488	1005486	1005491	1014358	1021687
	10	1005489	1002746	1001692	1001981	1021690
	15	1005490	1005487	1005492	1021685	1022355
25	5	1005494	1005493	1005495	1021693	1021691
	10	1001637	1003922	1005165	1021694	1021688
	15	1001784	1007133	1005496	1021697	1021692
30	5	1005499	1007134	1005500	1021698	1004489
	10	1001638	1005497	1004416	1001987	1021700
	15	1001785	1005498	1005501	1002879	1021701
40	5	1005503	1001700	1005505	1021704	1021702
	10	1001639	1021987	1002670	1001988	1021981
	15	1005504	1005502	1005506	1021705	1021703
50	5	1005509	1005507	1005510	1021706	1021707
	10	1001641	1001640	1001554	1001991	1004488
	15	1001642	1005508	1005511	1002880	1021708
60	5	1005513	1001699	1005515	1021711	1021712
	10	1001646	1001644	1001693	1001643	1021713
	15	1005514	1005512	1005516	1016343	1021714
75	5	1005521	1005517	1005522	1021718	1021715
	10	1003923	1001645	1001555	1001993	1021716
	15	1001905	1005519	1005523	1021719	1021717
80	5	1005525	1001698	1005527	1021720	1004486
	10	1003492	1021982	1001694	1021721	1021723
	15	1005526	1005524	1005528	1021722	1021724
100	5	1005530	1001697	1005532	1021728	1021726
	10	1003495	1021986	1001556	1001996	1004492
	15	1005531	1005529	1005533	1021729	1021727
125	5	1005540	1005538	1005543	1021730	1021733
	10	1005541	1021985	1001695	1021731	1006128
	15	1005542	1005539	1005545	1021732	1021734
150	5	1005547	1005546	1005549	1021737	1021735
	10	1001648	1022431	1001559	1021988	1021736
	15	1005548	1005051	1005550	1021738	1004483
160	5	1005553	1005551	1005555		
	10	1003493	1003543	1005556		
	15	1005554	1005552	1005557		
200	5	1005560	1005558	1005562		
	10	1005561	1001711	1002366		
	15	1001649	1005559	1005563		



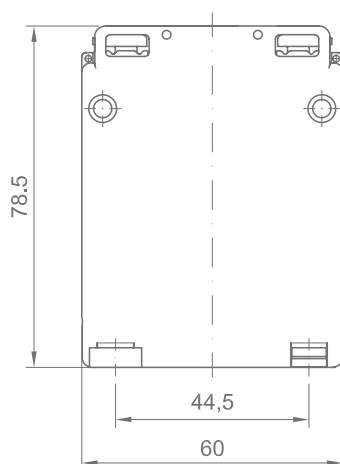
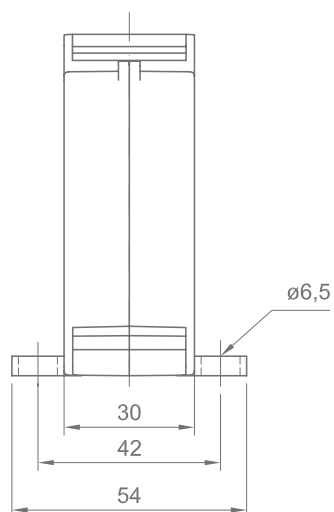
Primary conductor	-
Round conductor	-
Transformer width	81,5 mm

LV CURRENT TRANSFORMERS

ADK300



Secondary current		5A		1A	
Primary current A	Burden VA	Accuracy class		Accuracy class	
		1 Art.-no.	0.5 Art.-no.	1 Art.-no.	0.5 Art.-no.
1	2.5	1020157	1020155	1020125	1020123
	5	1020158		1020126	
2.5	2.5	1020161	1020159	1020132	1020130
	5	1020162		1020134	
5	2.5	1020165	1020163	1020139	1020136
	5	1020166		1020140	
10	2.5	1020169	1020167	1020143	1020141
	5	1020170		1020144	
15	2.5	1020173	1020171	1020149	1020147
	5	1020174		1020150	
20	2.5	1020177	1020175	1020153	1020151
	5	1020178		1020154	



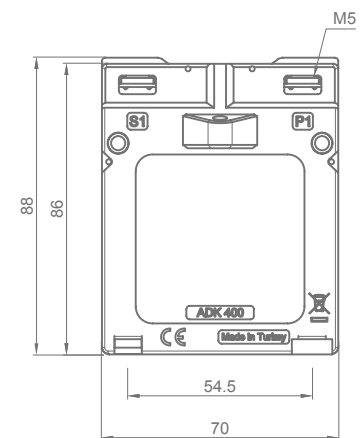
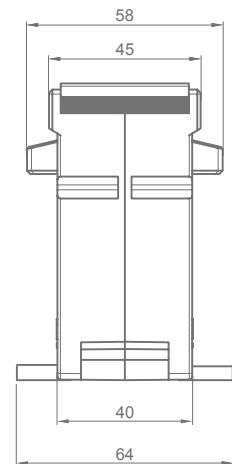
Primary conductor	-
Round conductor	-
Transformer width	60 mm
Snap-on mounting	1022654

LV CURRENT TRANSFORMERS

ADK400



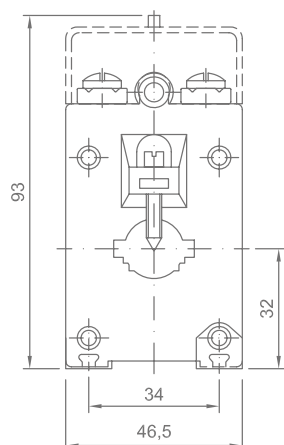
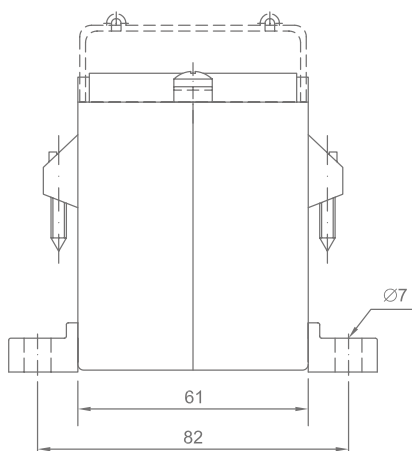
Secondary current		5A		1A	
Primary current A	Burden VA	Accuracy class		Accuracy class	
		1	0.5	1	0.5
1	2,5	1041428	1041437	1041441	1041445
	5	1041429	1041438	1041442	1041446
	10	1041435	1041439	1041443	1041447
	15	1041436	1041440	1041444	1041448
2,5	2,5	1041449	1041453	1041457	1041461
	5	1041450	1041454	1041458	1041462
	10	1041451	1041455	1041459	1041463
	15	1041452	1041456	1041460	1041464
5	2,5	1041477	1041483	1041510	1041516
	5	1041478	1041484	1041513	1041517
	10	1041479	1041508	1041514	1041518
	15	1041481	1041509	1041515	1041519
10	2,5	1041521	1041525	1041529	1041533
	5	1041523	1041526	1041530	1041534
	10	1041522	1041527	1041531	1041535
	15	1041524	1041528	1041532	1041536
15	2,5	1041537	1041541	1041545	1041549
	5	1041538	1041542	1041546	1041550
	10	1041539	1041543	1041547	1041551
	15	1041540	1041544	1041548	1041552
20	2,5	1041553	1041557	1041561	1041567
	5	1041554	1041558	1041564	1041568
	10	1041555	1041559	1041565	1041569
	15	1041556	1041560	1041566	1041570
25	2,5	1041571	1041575	1041579	1041583
	5	1041572	1041576	1041580	1041584
	10	1041573	1041577	1041581	1041585
	15	1041574	1041578	1041582	1041586
30	2,5	1041587	1041591	1041595	1041599
	5	1041588	1041592	1041596	1041600
	10	1041589	1041593	1041597	1041601
	15	1041590	1041594	1041598	1041602



Primary conductor	-
Round conductor	-
Transformer width	71 mm

LV CURRENT TRANSFORMERS

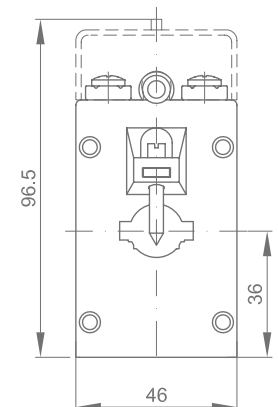
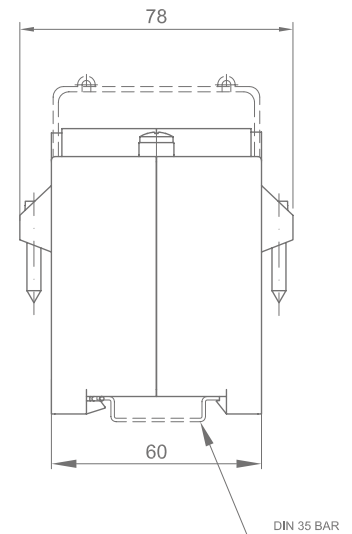
ADS20



Secondary current		5A			1A	
Primary current A	Burden VA	Accuracy class			Accuracy class	
		1 Art.-no.	0.5 Art.-no.	0,5 Sealed Art.-no.	1 Art.-no.	0.5 Art.-no.
50	1	1022433			1017601	
	1.5	1002225				
60	1	1005574			1017602	
	1.5	1005575			1017604	
	2.5	1001717			1001437	
75	1	1005576	1001439	1001563	1017606	1017605
	1.5	1002722			1017607	
	2.5	1021992			1001994	
80	1	1005580	1005579	1005581	1017610	1017608
	1.5	1002226	1005458	1005582	1017613	1017609
	2.5	1005164			1009144	
100	1	1005585	1005583	1005588	1017616	1017614
	1.5	1005586	1005584	1005589	1017617	1017615
	2.5	1001953	1001786	1001525	1001970	1007957
	5	1005587			1003662	
120	1	1005593	1005590	1005596	1017622	1017618
	1.5	1005594	1005591	1005597	1017623	1017619
	2.5	1005595	1005592	1005598	1017624	1017620
	5	1004227			1006036	
125	1.5	1005600	1005599	1005602	1017629	1017626
	2.5	1005601	1002859	1001665	1017630	1017627
	5	1002541	1002109	1025991	1021884	10259992
150	1.5	1005604	1005603	1005605	1017637	1017634
	2.5	1001445	1003639	1002365	1017638	1017635
	5	1001446	1001444	1001534	1006037	1002327
	10	1024505			1024506	
160	1.5	1005608	1005606	1005611	1017647	1017642
	2.5	1005609	1005607	1005612	1017649	1017644
	5	1005610	1005459	1005613	1021885	1021886
	10	1024507			1024508	
200	1.5	1005616	1005614	1005619	1017655	1017651
	2.5	1005617	1005615	1005620	1017657	1015276
	5	1005618	1001788	1005621	1003663	1021887
	10	1024509			1024510	
250	1.5	1005624	1005622	1005627	1017663	1017659
	2.5	1005625	1005623	1005628	1017664	1017660
	5	1005626	1001789	1005629	1021889	1021888
	10	1024511	1024512		1024513	1024514

Primary conductor	1 x 20 x 5 mm
Round conductor	Ø 15 mm
Transformer width	46,5 mm

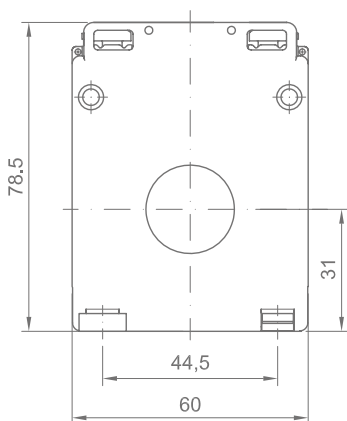
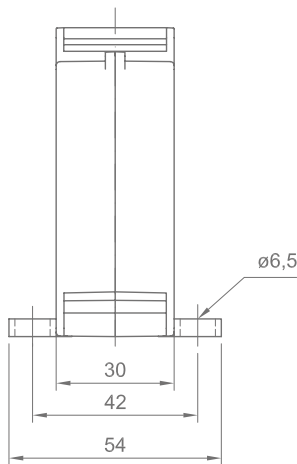
Secondary current		5A			1A	
Primary current A	Burden VA	Accuracy class			Accuracy class	
		1 Art.-no.	0.5 Art.-no.	0,5 Sealed Art.-no.	1 Art.-no.	0.5 Art.-no.
50	1	1022361			1022191	
	1.5	1025994				
60	1	1022192			1022195	
	1.5	1022193			1022196	
	2.5	1022194			1022197	
75	1	1022201	1022204	1022205	1022206	1022209
	1.5	1022202			1022207	
	2.5	1022203			1022208	
80	1	1022210	1022213	1022216	1022218	1022221
	1.5	1022211	1022215	1022217	1022219	1022222
	2.5	1022212			1022220	
100	1	1022223	1022227	1022230	1022233	1022237
	1.5	1022224	1022228	1022231	1022234	1022238
	2.5	1022225	1022229	1022232	1022235	1022239
	5	1022226			1022236	
120	1	1022242	1022247	1022250	1022253	1022257
	1.5	1022244	1022248	1022251	1022254	1022258
	2.5	1022245	1022249	1022252	1022255	1022259
	5	1022246			1022256	
125	1.5	1022261	1022264	1022266	1022268	1022271
	2.5	1022262	1022265	1022267	1022269	1022272
	5	1022263	1025996	1025999	1022270	1026000
150	1.5	1022273	1022276	1022279	1022282	1022285
	2.5	1022274	1022277	1022280	1022283	1022286
	5	1022275	1022278	1022281	1022284	1022287
	10	1024516			1024517	
160	1.5	1022288	1022291	1022294	1022297	1022300
	2.5	1022289	1022292	1022295	1022298	1022301
	5	1022290	1022293	1022296	1022299	1022302
	10	1024518			1024519	
200	1.5	1022303	1022307	1022310	1022314	1022317
	2.5	1022304	1022308	1022311	1022315	1022318
	5	1022305	1022309	1022313	1022316	1022319
	10	1024520			1024521	
250	1.5	1022320	1022323	1022326	1022329	1022332
	2.5	1022321	1022324	1022327	1022330	1022333
	5	1022322	1022325	1022328	1022331	1022334
	10	1024522	1024523		1024524	1024525



Primary conductor	1 x 20 x 5 mm
Round conductor	Ø 15 mm
Transformer width	46 mm

LV CURRENT TRANSFORMERS

ADG20



Secondary current		5A			1A	
Primary current A	Burden VA	Accuracy class			Accuracy class	
		1 Art.-no.	0.5 Art.-no.	0,25 Art.-no.	1 Art.-no.	0.5 Art.-no.
40	1	1019648			1019566	
50	1	1019649			1019569	
	1.5	1019650			1019570	
60	1	1019651			1019571	
	1.5	1019653			1019573	
75	1.5	1019654			1019574	
	2.5	1019655			1019575	
80	1.5	1019656			1019576	
	2.5	1019657			1019577	
100	1.5	1019663	1019659	1019658	1019583	1019579
	2.5	1019664	1019661		1019584	1019581
	3.75	1019665			1019586	
150	1.5	1019671	1019668	1019666	1019592	1019588
	2.5	1019674	1019669	1019667	1019593	1019589
	5	1019676	1019670		1019594	1019590
200	1.5		1019681			1019595
	2.5	1019684	1019682	1019679	1019598	1019596
	5	1019685	1019683	1019680	1019599	1019597
	10	1019686			1019600	
250	1.5		1019689			1019601
	2.5	1019695	1019691	1019687	1019605	1019602
	5	1019696	1019692	1019688	1019606	1019603
	10	1019697	1019693		1019607	101904
	15	1019698			1019608	
300	2.5	1019704	1019701	1019699	1019612	1019609
	5	1019705	1019702	1019700	1019613	1019610
	10	1019706	1019703		1019614	1019611
	15	1019707			1019615	
400	2.5	1019714	1019711	1019708	1019621	1019616
	5	1019715	1019712	1019710	1019622	1019617
	10	1019716	1019713		1019623	1019618
	15	1019717			1019624	
500	2.5	1019725	1019721	1019718	1019628	1019625
	5	1019726	1019722	1019719	1019629	1019626
	10	1019727	1019723	1019720	1019627	1019630
	15	1019728			1019631	
600	2.5	1019735	1019732	1019729	1019636	1019632
	5	1019736	1019733	1019730	1019633	1019634
	10	1019737	1019734	1019731	1019637	1019635
	15	1019738			1019638	

Primary conductor	-
Round conductor	Ø 22,5 mm
Transformer width	60 mm
Snap-on mounting	1022654

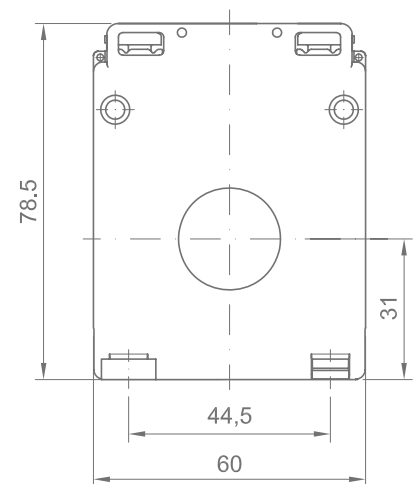
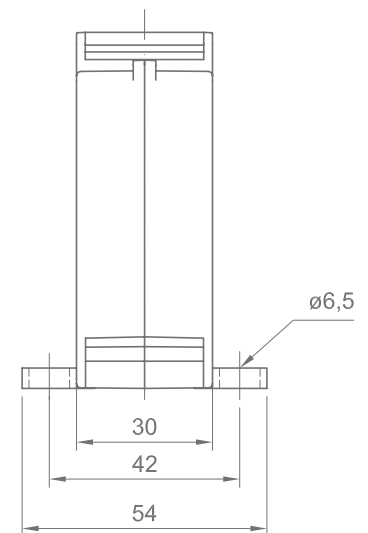


LV CURRENT TRANSFORMERS

ADGP20



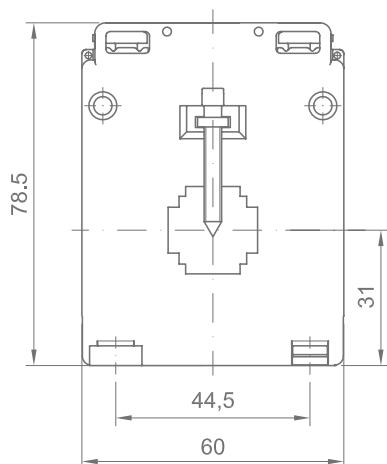
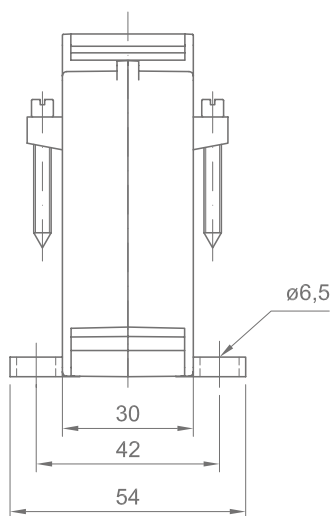
Secondary current		5A		1A	
Primary current A	Burden VA	Accuracy class		Accuracy class	
		5P5 Art.-no.	10P5 Art.-no.	5P5 Art.-no.	10P5 Art.-no.
100	1				1021048
125	1	1021051	1021052		
	1.5			1021049	1021050
150	1	1021055	1021056		
	1.5			1021053	1021054
200	1	1021059	1021060		
	1.5			1021057	1021058
250	1	1021063	1021064		
	1.5			1021061	1021062
300	1	1021067	1021068		
	1.5			1021065	1021066



Primary conductor	-
Round conductor	Ø 22,5 mm
Transformer width	60 mm
Snap-on mounting	1022654

LV CURRENT TRANSFORMERS

ADK2010



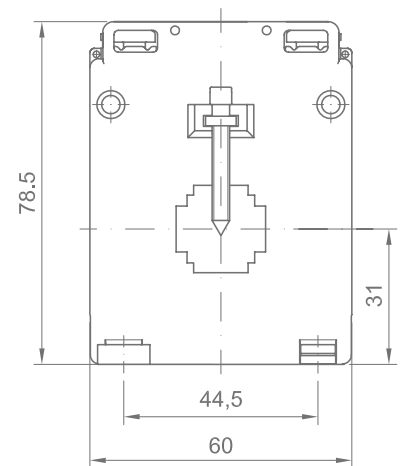
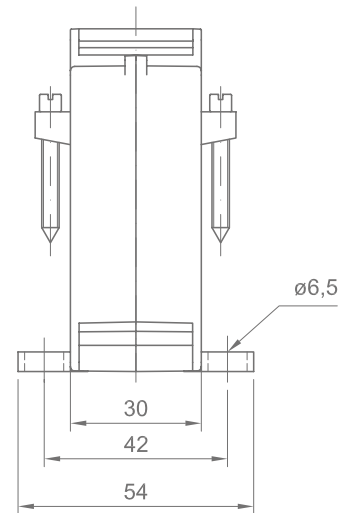
Primary conductor	20 x 10 mm
Round conductor	Ø 19,2 mm
Transformer width	60 mm
Snap-on mounting	1022654

Secondary current		5A			1A	
Primary current A	Burden VA	Accuracy class			Accuracy class	
		1 Art.-no.	0.5 Art.-no.	0,25 Art.-no.	1 Art.-no.	0.5 Art.-no.
40	1	1019871			1019765	
50	1	1019872			1019766	
	1.5	1019873			1019767	
60	1	1019874			1019768	
	1.5	1019875			1019769	
75	1.5	1019876			1019770	
	2.5	1019877			1019771	
80	1.5	1019878			1019772	
	2.5	1019879			1019773	
100	1.5	1019882	1019880		1019777	1019774
	2.5	1019883	1019881		1019778	1019775
	5	1019884			1019779	
150	1.5	1019890	1019887	1019885	1019783	1019780
	2.5	1019891	1019888	1019886	1019785	1019781
	5	1019892	1019889		1019803	1019782
200	1.5		1019896			1019804
	2.5	1019899	1019897	1019893	1019807	1019805
	5	1019901	1019898	1019895	1019809	1019806
	10	1019902			1019810	
250	1.5		1019906			1019811
	2.5	1019910	1019907	1019903	1019815	1019812
	5	1019911	1019908	1019904	1019816	1019813
	10	1019912	1019909		1019817	1019814
	15	1019913			1019818	
300	2.5	1019919	1019916	1019914	1019822	1019819
	5	1019920	1019917	1019915	1019823	1019820
	10	1019921	1019918		1019824	1019821
	15	1019922			1019825	
400	2.5	1019935	1019932	1019935	1019829	1019826
	5	1019936	1019933	1019931	1019830	1019827
	10	1019937	1019934		1019831	1019828
	15	1019938			1019832	
500	2.5	1019944	1019941	1019939	1019836	1019833
	5	1019945	1019942	1019940	1019837	1019834
	10	1019946	1019943		1019838	1019835
	15	1019947			1019839	
600	2.5	1019951	1019948		1019843	1019840
	5	1019952	1019949		1019844	1019841
	10	1019953	1019950		1019845	1019842
	15	1019954			1019846	



LV CURRENT TRANSFORMERS
ADKP2010

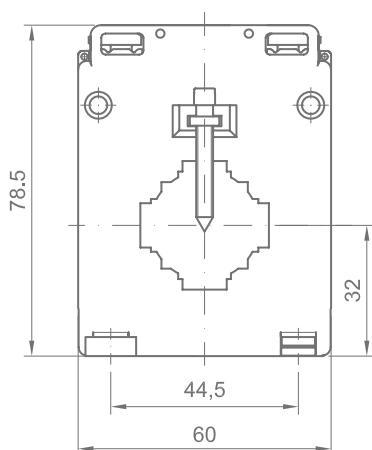
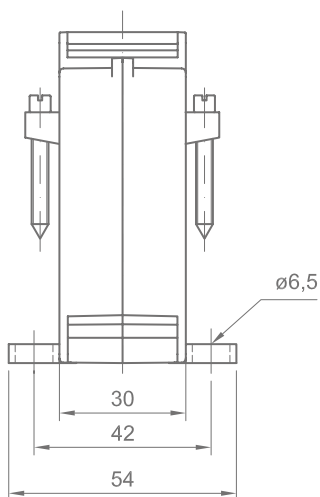
Secondary current		5A		1A	
Primary current A	Burden VA	Accuracy class		Accuracy class	
		5P5 Art.-no.	10P5 Art.-no.	5P5 Art.-no.	10P5 Art.-no.
125	1	1021038	1021039		
	1.5			1021036	1021037
150	1	1021042	1021043		
	1.5			1021040	1021041
200	1	1021046	1021047		
	1.5			1021044	1021045



Primary conductor	20 x 10 mm
Round conductor	Ø 19,2 mm
Transformer width	60 mm
Snap-on mounting	1022654

LV CURRENT TRANSFORMERS

ADK3010

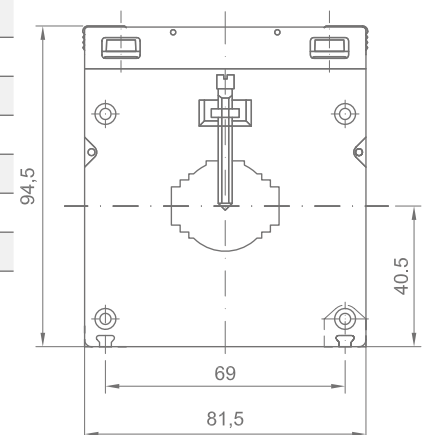
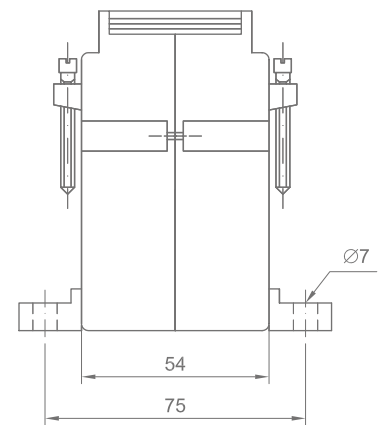


Secondary current		5A			1A	
Primary current A	Burden VA	Accuracy class			Accuracy class	
		1 Art.-no.	0.5 Art.-no.	0.2 S Art.-no.	1 Art.-no.	0.5 Art.-no.
50	1	1020026			1019956	
60	1	1020028			1019957	
75	1	1020029			1019958	
	1.5	1020030			1019959	
80	1.5	1020031			1019960	
	2.5	1020032			1019961	
100	1.5	1020036	1020033		1019964	1019962
	2.5	1020037	1020034		1019965	1019963
150	1.5	1020042	1020040	1020039	1019968	1019966
	2.5	1020043	1020041		1019969	1019967
200	1.5	1020049	1020046		1019973	1019970
	2.5	1020050	1020047	1020045	1019975	1019971
	5	1020051	1020048		1019976	1019972
250	1.5	1020058	1020054		1019980	1019977
	2.5	1020059	1020055	1020052	1019981	1019978
	5	1020060	1020056	1020053	1019982	1019979
	10	1020061			1019983	
300	1.5	1020071	1020068		1019988	1019984
	2.5	1020072	1020069	1020064	1019989	1019985
	5	1020074	1020070	1020065	1019990	1019986
	10	1020075			1019991	1019987
400	1.5	1020082			1019996	
	2.5	1020083	1020079	1020076	1019997	1019992
	5	1020084	1020080	1020077	1019998	1019993
	10	1020085	1020081		1019999	1019994
500	2.5	1020091	1020088	1020086	1020003	1020000
	5	1020092	1020089	1020087	1020004	1020001
	10	1020093	1020090		1020005	1020002
600	2.5	1020100	1020096	1020094	1020010	1020006
	5	1020101	1020097	1020095	1020011	1020007
	10	1020102	1020098		1020012	1020008
	15	1020104	1020099		1020013	1020009
750	2.5	1020111	1020107	1020105	1020018	1020014
	5	1020113	1020108	1020106	1020019	1020016
	10	1020114	1020109		1020020	1020017



Primary conductor	30 x 10 mm
	2 x 20 x 10 mm
Round conductor	Ø 26 mm
Transformer width	60 mm
Snap-on mounting	1022654

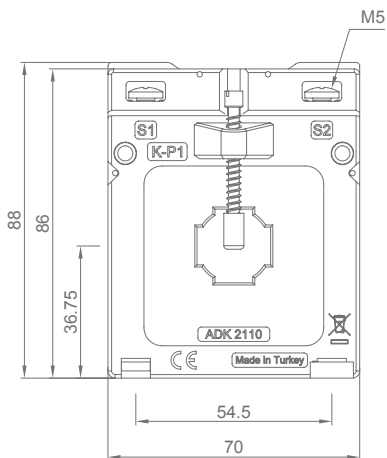
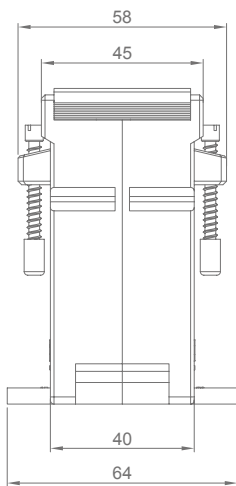
Secondary current		5A			1A	
Primary current A	Burden VA	Accuracy class			Accuracy class	
		1 Art.-no.	0.5 Art.-no.	0,5 Sealed Art.-no.	1 Art.-no.	0.5 Art.-no.
75	1.5	1005631			1017769	
	2.5	1005632			1005400	
	5	1021897			1005399	
100	2.5	1005633	1001612	1001545	1008516	1007999
	5	1003542			1021895	
	10	1021899			1005401	
125	2.5	1021896	1005634	1005636	1017779	1017776
	5	1003932			1021901	1003478
	10	1005635			1021902	
150	2.5	1021905	1005637	1005639	1005402	1017784
	5	1005307	1001613	1001547	1021909	1021911
	10	1021995	1006406	1021908	1002012	1021912
200	2.5	1005643	1005640	1005647	1017792	1017789
	5	1005644	1005641	1001548	1021916	1021918
	10	1005645	1023018	1001549	1022000	1004491
	15	1005646	1005642	1005648	1021917	1021919
250	2.5	1005652	1005649	1005655	1017798	1017795
	5	1005653	1005650	1005656	1021920	1021923
	10	1002219	1021997	1001550	1021922	1004484
	15	1005654	1005651	1005657	1021921	1003466
300	2.5	1005662	1005658	1005665	1017804	1017801
	5	1005663	1005659	1005666	1021924	1021927
	10	1002220	1021999	1001685	1021925	1004485
	15	1005664	1005052	1005667	1021926	1021928
400	2.5	1005672	1005668	1005676	1017810	1017807
	5	1005673	1005669	1005677	1021929	1021932
	10	1005674	1005670	1005678	1021930	1021933
	15	1005675	1005671	1005679	1021931	1021934
500	2.5	1005684	1005680	1005688	1021943	1021947
	5	1005685	1005681	1005689	1021944	1021948
	10	1005686	1005682	1005690	1021945	1021949
	15	1005687	1005683	1005691	1021946	1021950
600	2.5	1005696	1005692	1005700	1021935	1021939
	5	1005697	1005693	1005701	1021936	1021940
	10	1005698	1005694	1005702	1021937	1021941
	15	1005699	1005695	1005703	1021938	1021942



Primary conductor	1 x 30 x 10 mm
Round conductor	Ø 26 mm
Transformer width	81,5 mm

LV CURRENT TRANSFORMERS

ADK2110



Secondary current		5A		1A	
Primary current A	Burden VA	Accuracy class		Accuracy class	
		1	0.5	1	0.5
40	1,5	1040844		1040845	
50	1,5	1040846		1040848	
	2,5	1040847		1040849	
60	1,5	1040850		1040853	
	2,5	1040852		1040854	
75	2,5	1040855	1040857	1040858	1040860
	5	1040856		1040859	
80	2,5	1040861	1040863	1040864	1040866
	5	1040862		1040865	
100	2,5	1040867	1040870	1040871	1040874
	5	1040868		1040872	
	10	1040869		1040873	
125	2,5	1040875	1040886	1040888	1040891
	5	1040876	1040887	1040889	1040892
	10	1040877		1040890	
150	2,5	1040893	1040896	1040898	1040901
	5	1040894	1040897	1040899	1040902
	10	1040895		1040900	
200	2,5	1040903	1040907	1040909	1040913
	5	1040904	1040908	1040910	1040914
	10	1040905		1040911	
	15	1040906		1040912	
250	5	1040915	1040918	1040920	1040923
	10	1040916	1040919	1040921	1040924
	15	1040917		1040922	
300	5	1040925	1040928	1040930	1040933
	10	1040926	1040929	1040931	1040934
	15	1040927		1040932	
400	5	1040935	1040939	1040942	1040969
	10	1040936	1040940	1040944	1040967
	15	1040937	1040941	1040945	1040968
	30	1040938		1040946	
500	5	1040947	1040951	1040954	1040958
	10	1040948	1040952	1040955	1040960
	15	1040949	1040953	1040956	1040961
	30	1040950		1040957	

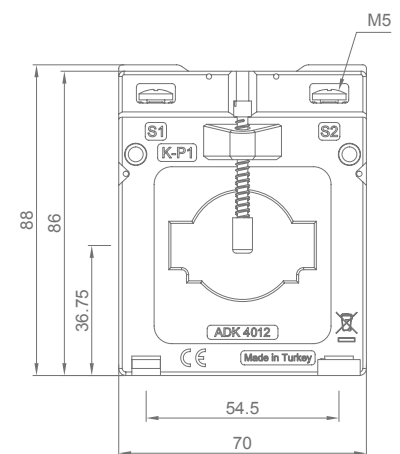
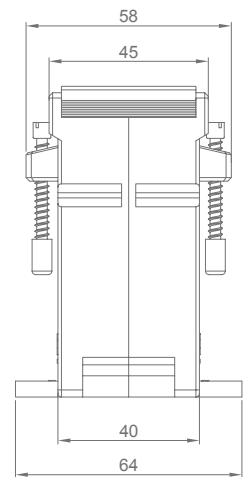
Primary conductor	1 x 20 x 10 mm
Round conductor	Ø 20 mm
Transformer width	71 mm

LV CURRENT TRANSFORMERS

ADK4012



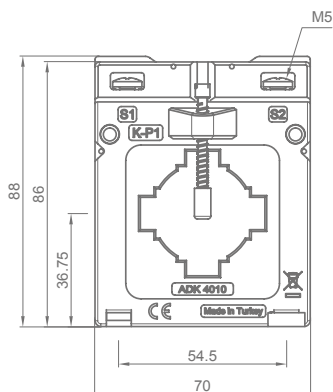
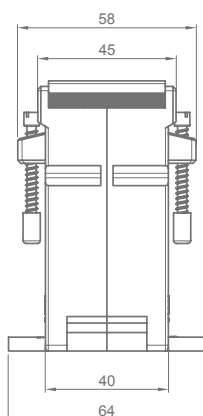
Secondary current		5A		1A	
Primary current A	Burden VA	Accuracy class		Accuracy class	
		1	0.5	1	0.5
50	1	1041419		1041420	
60	1,25	1040970		1040971	
	1,5	1041421		1041422	
75	1,5	1040973		1040975	
	2,5	1040976		1040977	
80	1,5	1040981		1040983	
	2,5	1040982		1040984	
100	1,5	1040985	1040988	1040989	1040992
	2,5	1040986	1040993	1040990	1040994
	3,75	1040987		1040991	
150	1,5	1040995	1040998	1041000	1041003
	2,5	1040996	1040999	1041001	1041004
	5	1040997		1041002	
200	1,5	1041005	1041009	1041012	1041016
	2,5	1041006	1041010	1041013	1041017
	5	1041007	1041011	1041014	1041018
	10	1041008		1041015	
250	1,5	1041019	1041023	1041027	1041031
	2,5	1041020	1041024	1041028	1041032
	5	1041021	1041025	1041029	1041033
	10	1041022		1041030	
300	2,5	1041034	1041039	1041043	1041047
	5	1041035	1041040	1041044	1041049
	10	1041036	1041042	1041045	1041050
	15	1041037		1041046	
400	2,5	1041051	1041056	1041060	1041064
	5	1041052	1041057	1041061	1041065
	10	1041053	1041058	1041062	1041066
	15	1041054	1041059	1041063	1041067
500	2,5	1041068	1041072	1041076	1041080
	5	1041069	1041073	1041077	1041081
	10	1041070	1041074	1041078	1041082
	15	1041071	1041075	1041079	1041083
600	2,5	1041084	1041088	1040649	1041095
	5	1041085	1041089	1041092	1041096
	10	1041086	1041090	1041093	1041097
	15	1041087	1041091	1041094	1041098
750	2,5	1041101	1041105	1041109	1041113
	5	1041102	1041106	1041110	1041114
	10	1041103	1041107	1041111	1041115
	15	1041104	1041108	1041112	1041116
800	5	1041117	1041121	1041125	1041129
	10	1041118	1041122	1041126	1041130
	15	1041119	1041123	1041127	1041131
	30	1041120	1041124	1041409	1041132
1000	5	1041133	1041138	1041143	1041150
	10	1041134	1041140	1041144	1041148
	15	1041135	1041141	1041145	1041151
	30	1041136	1041142	1041146	1041152



Primary conductor	1 x 40 x 12 mm
Round conductor	Ø 30,5 mm
Transformer width	71 mm

LV CURRENT TRANSFORMERS

ADK4010

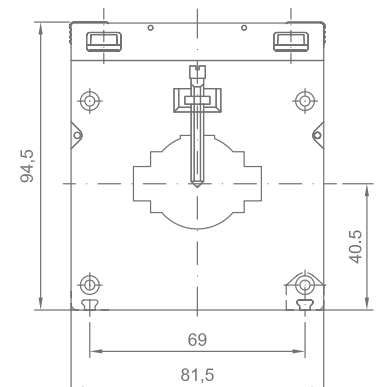
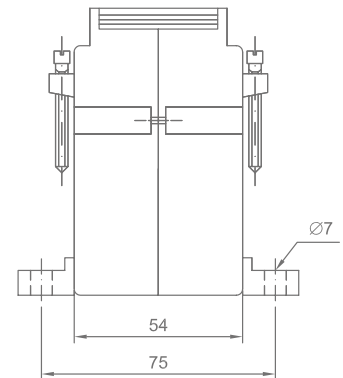


Primary conductor	1 x 40 x 10 mm
Round conductor	Ø 32 mm
Transformer width	71 mm

Secondary current		5A		1A	
Primary current A	Burden VA	Accuracy class		Accuracy class	
		1	0.5	1	0.5
50	1	1041424		1041425	
60	1,25	1041156		1041158	
	1,5	1041426		1041427	
75	1,5	1041159		1041161	
	2,5	1041160		1041162	
80	1,5	1041164		1041167	
	2,5	1041165		1041168	
100	1,5	1041170	1041173	1041175	1041178
	2,5	1041171	1041174	1041176	1041179
	3,75	1041172		1041177	
150	1,5	1041180	1041183	1041185	1041188
	2,5	1041181	1041184	1041186	1041189
	5	1041182		1041187	
200	1,5	1041190	1041194	1041197	1041202
	2,5	1041191	1041195	1041198	1041203
	5	1041192	1041196	1041199	1041204
	10	1041193		1041200	
250	1,5	1041205	1041210	1041213	1041225
	2,5	1041207	1041211	1041222	1041226
	5	1041208	1041212	1041223	1041227
	10	1041209		1041224	
300	2,5	1041228	1041232	1041235	1041240
	5	1041229	1041233	1041236	1041241
	10	1041230	1041234	1041237	1041242
	15	1041231		1041239	
400	2,5	1041244	1041248	1041253	1041257
	5	1041245	1041249	1041254	1041258
	10	1041246	1041251	1041255	1041259
	15	1041247	1041252	1041256	1041260
500	2,5	1041261	1041265	1041269	1041273
	5	1041262	1041266	1041270	1041274
	10	1041263	1041267	1041271	1041275
	15	1041264	1041268	1041272	1041276
600	2,5	1041277	1041281	1041285	1041290
	5	1041278	1041282	1041286	1041292
	10	1041279	1041283	1041287	1041293
	15	1041280	1041284	1041289	1041297
750	2,5	1041296	1041301	1041305	1041309
	5	1041298	1041302	1041306	1041310
	10	1041299	1041303	1041307	1041311
	15	1041300	1041304	1041308	1041312
800	5	1041313	1041317	1041321	1041325
	10	1041314	1041318	1041322	1041326
	15	1041315	1041319	1041323	1041327
	30	1041316	1041320	1041324	1041328
1000	5	1041329	1041333	1041337	1041341
	10	1041330	1041334	1041338	1041342
	15	1041331	1041335	1041339	1041343
	30	1041332	1041336	1041340	1041344

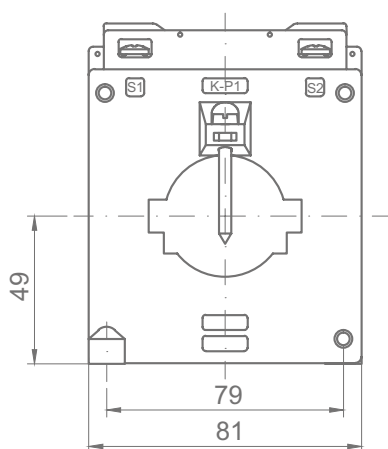
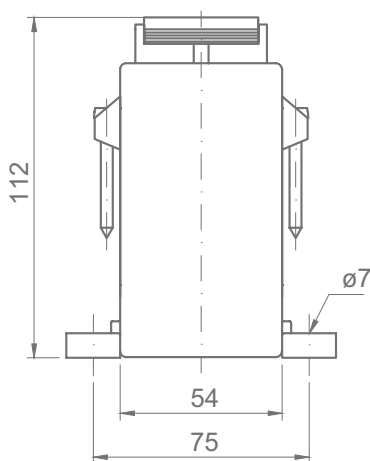


Secondary current		5A			1A	
Primary current A	Burden VA	Accuracy class			Accuracy class	
		1 Art.-no.	0.5 Art.-no.	0,5 Sealed Art.-no.	1 Art.-no.	0.5 Art.-no.
100	2.5	1005712			1017901	
125	2.5	1005713			1017904	
	5	1005714			1021955	
150	2.5	1005717	1005715	1005721	1017910	1017907
	5	1005718	1005716	1005722	1021956	1021958
	10	1005720			1021957	
200	2.5	1005728	1005724	1005732	1017916	1017913
	5	1005729	1005725	1005733	1021964	1021960
	10	1001801	1001615	1004593	1021959	1021961
	15	1005730	1005726	1005734	1011819	1021962
250	2.5	1005738	1005735	1005741	1017924	1017919
	5	1005739	1005736	1005742	1021966	1021967
	10	1003491	1001616	1001794	1021963	1021968
	15	1005740	1005737	1005743	1021965	1021969
300	2.5	1005747	1005744	1005757	1017932	1017928
	5	1005748	1005745	1005758	1021971	1021975
	10	1005749	1001617	1001686	1011628	1021976
	15	1005750	1005746	1005759	1021973	1021977
400	2.5	1005761	1005760	1005764	1017942	1017936
	5	1005762	1005660	1005765	1022002	1022003
	10	1021951	1021952	1001551	1001618	1005753
	15	1005763	1005053	1005766	1016344	1022004
500	2.5	1005770	1005767	1005773	1017948	1017945
	5	1005771	1005768	1005774	1022005	1022008
	10	1001619	1021953	1001687	1022006	1012997
	15	1005772	1005769	1005775	1022007	1022009
600	2.5	1005779	1005776	1005781	1017954	1017951
	5	1005780	1005777	1005782	1022010	1022012
	10	1001799	1006066	1001553	1019209	1009499
	15	1001620	1005778	1005783	1022011	1022013
800	2.5	1005791	1005788	1005794	1017960	1017957
	5	1005792	1005789	1005795	1022014	1022017
	10	1021954	1001843	1005796	1022015	1012998
	15	1005793	1005790	1005798	1022016	1022018



Primary conductor	1 x 40 x 10 mm
Round conductor	Ø 30 mm
Transformer width	81,5 mm

LV CURRENT TRANSFORMERS A50



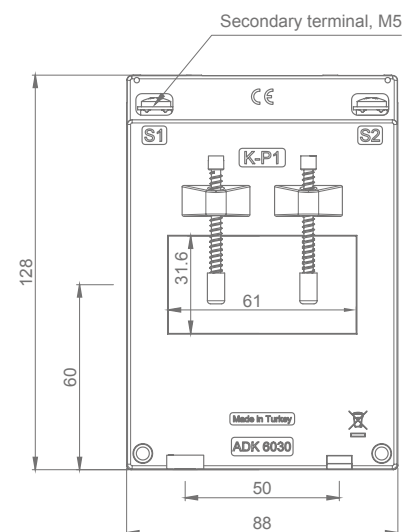
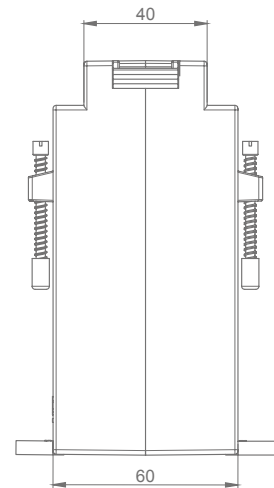
Primary conductor	1x50x10 mm
Round conductor	Ø 40 mm
Transformer width	81 mm

Secondary current		5A		
Primary current A	Burden VA	Accuracy class		
		1 Art.-no.	0.5 Art.-no.	0,5 Sealed Art.-no.
150	1,5		1008763	1008767
	2,5	1008765	1008764	1008768
	5	1008766		
200	2,5		1008769	1008774
	5	1008771	1008770	1008775
	10	1008772		
	15	1008773		
250	2,5		1008776	1008781
	5	1008778	1008777	1008782
	10	1008779	1001463	1008783
	15	1008780		
300	5	1008822	1008818	1008825
	10	1008823	1008820	1008826
	15	1008824	1008821	1008827
400	5	1008830	1008828	1008833
	10	1008831	1004589	1008834
	15	1008832	1008829	1008835
500	5	1008838	1008836	1008841
	10	1008839	1005166	1005192
	15	1008840	1008837	1008842
600	5	1008845	1008843	1008847
	10	1002221	1002719	1008848
	15	1008846	1008844	1008850
750	5	1008863	1008860	1008865
	10	1001467	1008861	1008866
	15	1008864	1008862	1008867
800	5	1008869	1008868	1008870
	10	1001469	1001468	1004410
	15	1001358	1005878	1008871
1000	5	1008873	1008872	1008876
	10	1008874	1002517	1001672
	15	1008875	1001470	1008877

LV CURRENT TRANSFORMERS
ADK6030



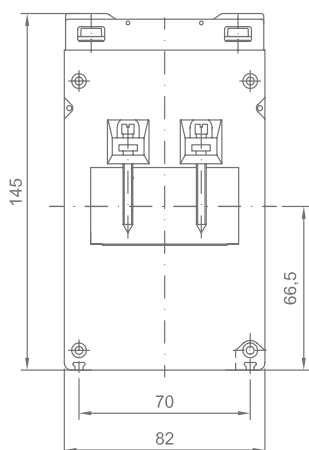
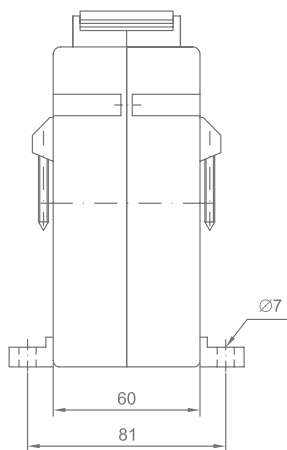
Secondary current		5A		1A	
Primary current A	Burden VA	Accuracy class		Accuracy class	
		1	0.5	1	0.5
300	2,5	1040680		1040681	
	5	1040682		1060683	
400	5	1040685	1040689	1040691	1040694
	10	1040688	1040690	1040692	1040695
500	15	1040687		1040693	
	5	1040698	1040702	1040704	1040707
	10	1040699	1040703	1040705	1040708
600	15	1040701		1040706	
	5	1040711	1040714	1040717	1040720
750	10	1040712	1040715	1040718	1040721
	15	1040713	1040716	1040719	1040722
	5	1040723	1040726	1040729	1040732
800	10	1040724	1040727	1040730	1040733
	15	1040725	1040728	1040731	1040734
	5	1040743	1040746	1040749	1040751
1000	10	1040744	1040747	1040645	1040752
	15	1040745	1040748	1040750	1040753
	5	1040754	1040757	1040760	1040763
1250	10	1040755	1040758	1040761	1040764
	15	1040756	1040759	1040762	1040765
	5	1040766	1040769	1040772	1040775
1500	10	1040767	1040770	1040773	1040776
	15	1040768	1040771	1040774	1040777
	5	1040785	1040790	1040795	1040799
	10	1040786	1040792	1040796	1040801
1600	15	1040788	1040793	1040797	1040802
	30	1040789	1040794	1040798	1040803
	5	1045341	1042994	1040647	1045350
	10	1045342	1045345	1045347	1045351
2000	15	1045343	1044260	1045348	1045353
	30	1045344	1045346	1045349	1045354
	5	1040804	1040808	1040648	1040815
	10	1040805	1040809	1040812	1040816
	15	1040806	1040810	1040813	1040817
	30	1040807	1040811	1040814	1040818



Primary conductor	1x60x30 mm
Round conductor	Ø 30 mm
Transformer width	88 mm

LV CURRENT TRANSFORMERS

ADS62



Secondary current		5A			1A	
Primary current A	Burden VA	Accuracy class			Accuracy class	
		1 Art.-no.	0.5 Art.-no.	0,5 Sealed Art.-no.	1 Art.-no.	0.5 Art.-no.
300	2.5	1005800			1018059	
	5	1005801			1022041	
400	5	1005803	1005802	1005805	1022042	1022046
	10	1001479	1003074	1005806	1022043	1003472
	15	1005804			1022044	
500	5	1005813	1005809	1005815	1022047	1022050
	10	1001481	1005812	1005816	1022048	1003473
	15	1005814			1022049	
600	5	1005819	1005817	1005821	1004029	1022055
	10	1001482	1022024	1005822	1022053	1006049
	15	1005820	1005818	1005823	1022054	1003481
750	5	1005826	1005824	1005829	1018108	1018102
	10	1005827	1002855	1003077	1022056	1022058
	15	1005828	1005825	1005830	1022057	1022059
800	5	1005832	1005831	1005833	1004028	1002330
	10	1002951	1022025	1002844	1022060	1022061
	15	1003621	1003789	1005834	1002554	1003468
1000	5	1005836	1005835	1005837	1002031	1002319
	10	1002952	1022019	1001677	1022062	1006048
	15	1022020	1001907	1005838	1022063	1015994
1200	5	1005841	1005839	1005843	1002033	1018128
	10	1005842	1005840	1005844	1018135	1018130
	15	1001485	1003756	1001678	1022064	1022065
1250	5	1005846	1005845	1005847	1004156	1002317
	10	1002953	1022039	1001837	1018144	1018140
	15	1001487	1001486	1001679	1022066	1003464
	30	1002998	1005057	1005848	1022067	1005350
1500	5	1005852	1005849	1005855	1018154	1018148
	10	1005853	1005850	1005856	1018156	1018150
	15	1001490	1001489	1005857	1002574	1022069
	30	1005854	1005851	1005858	1022068	1022070
1600	5	1005861	1005859	1005863	1018164	1006042
	10	1005862	1001793	1005865	1008288	1018160
	15	1022022	1001491	1001539	1022071	1017348
	30	1004833	1005054	1005866	1006953	1022072
2000	5	1005870	1005868	1005873		
	10	1005871	1005869	1005874		
	15	1005872	1022021	1005875		

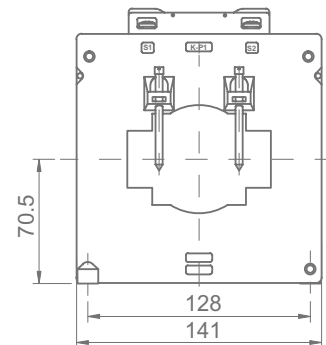
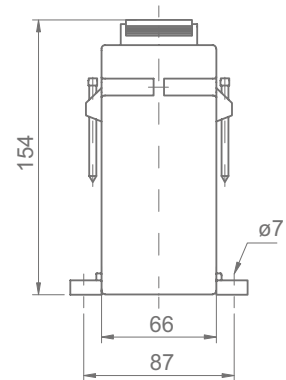
Primary conductor	2 x 60 x 10 mm
Round conductor	Ø 30 mm
Transformer width	82 mm

LV CURRENT TRANSFORMERS

ADB80



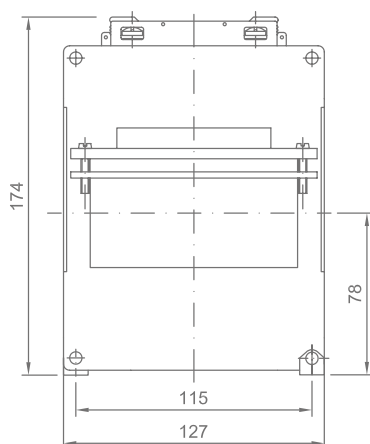
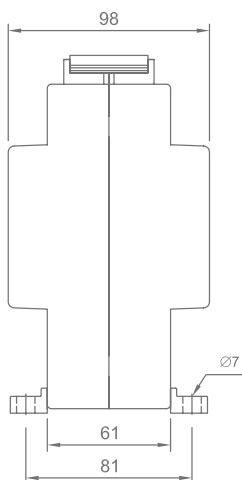
Secondary current		5A		
Primary current A	Burden VA	Accuracy class		
		1 Art.-no.	0.5 Art.-no.	0,5 Sealed Art.-no.
200	5	1008965		
	5	1008966		
	10	1008967		
300	5	1008969	1008968	1008971
	10	1008970		
400	5	1008974	1008972	1008977
	10	1008975	1008973	1008978
	15	1008976		
500	5	1008980	1008979	1008983
	10	1008981	1007836	1008984
	15	1008982		
600	5	1008988	1008985	1008991
	10	1008989	1008986	1008992
	15	1008990	1008987	1008993
800	5	1008997	1008994	1009000
	10	1008998	1008995	1009001
	15	1008999	1008996	1009002
1000	5	1009005	1009003	1009008
	10	1009006	1009004	1009009
	15	1009007	1003716	1009010
	30	1004756		
1250	5	1009032	1009029	1009036
	10	1009033	1009030	1004412
	15	1009034	1001621	1004425
	30	1009035	1009031	1009037
1500	5	1009188	1009185	1009191
	10	1009184	1009186	1009192
	15	1009189	1003757	1009193
	30	1009190	1009187	1009194
2000	5	1009197	1009195	1009200
	10	1009198	1009196	1009201
	15	1009199	1001622	1001689
	30	1003620	1002539	1009202
2500	5	1009206	1002903	1009211
	10	1009207	1002904	1009212
	15	1009208	1001623	1001690
	30	1009209	1009205	1009213



Primary conductor	2 x 80 x10 mm
Round conductor	Ø 60 mm
Transformer width	141 mm

LV CURRENT TRANSFORMERS

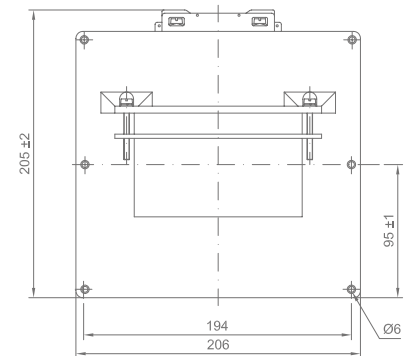
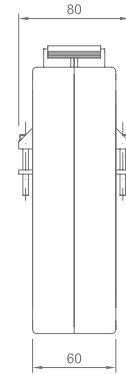
ADS100



Primary conductor	3 x 100 x 10 mm
Round conductor	Ø 52 mm
Transformer width	127 mm

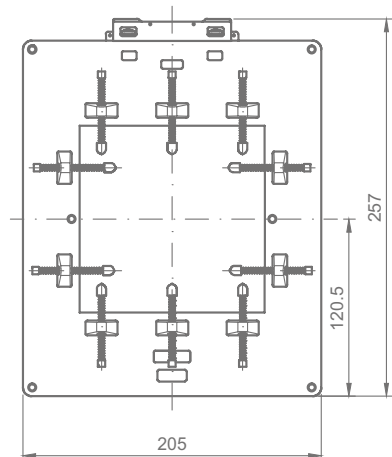
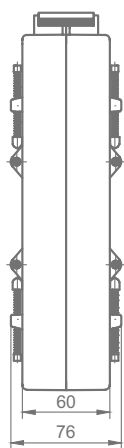
Secondary current		5A			1A	
Primary current A	Burden VA	Accuracy class			Accuracy class	
		1 Art.-no.	0.5 Art.-no.	0,5 Sealed Art.-no.	1 Art.-no.	0.5 Art.-no.
500	5	1005880	1005879	1005886	1022077	1022080
	10	1005884			1022078	
	15	1005885			1022079	
600	5	1005889	1005888	1005892	1022081	1022084
	10	1005890	1001504	1005894	1022082	1022085
	15	1005891			1022083	
800	5	1005897	1005895	1005899	1022073	1022086
	10	1005898	1003631	1005900	1022074	1022087
	15	1001505	1005896	1005901	1022075	1006893
1000	5	1005904	1005902	1005907	1018054	1018046
	10	1005905	1022036	1002367	1005366	1018049
	15	1005906	1005903	1005908	1022090	1022091
1200	5	1005912	1005910	1005915	1018068	1018063
	10	1005914	1005911	1005917	1018070	1018064
	15	1001507	1001506	1005918	1022092	1022093
1250	5	1005920	1005919	1005922	1018080	1018074
	10	1005921	1004655	1004656	1005367	1018076
	15	1003934	1022034	1005923	1022094	1022095
1500	5	1005929	1005924	1005932	1002034	1018087
	10	1005930	1005926	1005933	1005365	1018089
	15	1001509	1001508	1005934	1022096	1022098
	30	1005931	1005928	1005935	1022097	1022099
1600	5	1005941	1005938	1005944	1018104	1018099
	10	1005942	1005939	1005945	1018107	1018101
	15	1003935	1003759	1001540	1022101	1022100
	30	1005943	1005940	1005946	1009155	1006891
2000	5	1005948	1005947	1005951	1018118	1018113
	10	1005949	1001951	1005952	1018119	1018114
	15	1022038	1022037	1001541	1007986	1020209
	30	1003015	1001510	1005953	1022103	1007955
2500	5	1005959	1005957	1005961	1014662	1018122
	10	1005960	1005958	1005962	1018129	1005751
	15	1001607	1004827	1001543	1022104	1022106
	30	1002839	1002858	1005963	1022105	1006888
3000	5	1005966	1005964	1005969	1018139	1006041
	10	1005967	1005965	1005970	1018142	1018136
	15	1001610	1001608	1001544	1022107	1022109
	30	1005968	1001609	1005971	1022108	1022110
4000	5	1005974	1005972	1005976		
	10	1005975	1005973	1005977		
	15	1001611	1002306	1002307		

Secondary current		5A			1A	
Primary current A	Burden VA	Accuracy class			Accuracy class	
		1 Art.-no.	0.5 Art.-no.	0,5 Sealed Art.-no.	1 Art.-no.	0.5 Art.-no.
800	5	1011182	1022402	1011185	1022111	1022114
	10	1011183			1022112	
	15	1011184			1022113	
1000	5	1011199	1011196	1011202	1022115	1022118
	10	1011200	1011197	1011203	1022116	1022119
	15	1011201	1011198	1011204	1022117	1022120
1200	5	1011209	1011205	1011214	1022121	1022125
	10	1011211	1011206	1011215	1022122	1022126
	15	1011212	1011207	1011216	1022123	1022127
	30	1011213	1011208	1011217	1022124	1022128
1250	5	1011222	1011218	1011227	1022129	1022133
	10	1011223	1011219	1011228	1022130	1022134
	15	1011224	1011220	1011229	1022131	1022135
	30	1011226	1011221	1011230	1022132	1022136
1500	5	1011235	1011231	1011239	1022137	1022141
	10	1011236	1011232	1011240	1022138	1022142
	15	1011237	1011233	1011241	1022139	1022143
	30	1011238	1011234	1011242	1022140	1022144
1600	5	1011247	1011243	1011251	1022145	1022149
	10	1011248	1011244	1011252	1022146	1022150
	15	1011249	1011245	1011253	1022147	1022151
	30	1011250	1011246	1011254	1022148	1022152
2000	5	1011260	1011255	1011264	1022153	1022157
	10	1011261	1011256	1011265	1022154	1022158
	15	1011262	1001626	1011266	1022155	1022159
	30	1011263	1011257	1011267	1022156	1022160
2500	5	1011271	1011268	1011274	1022161	1022165
	10	1011272	1011269	1011275	1022162	1022166
	15	1001629	1001628	1011276	1022163	1022167
	30	1011273	1011270	1011277	1022164	1022168
3000	5	1011280	1011278	1011283	1022169	1022172
	10	1011281	1011279	1011284	1022170	1022173
	15	1001632	1001630	1011285	1022171	1003487
	30	1011282	1001631	1011287	1019005	1022174
3200	5	1011292	1011288	1011297	1022175	1022178
	10	1011293	1011289	1011298	1022176	1022179
	15	1011294	1011290	1011299	1022177	1022180
	30	1011295	1011291	1011300	1006955	1022181
4000	5	1011303	1011301	1011307	1022182	1004027
	10	1011304	1011302	1011308	1022183	1022186
	15	1011305	1001716	1011309	1022184	1022187
	30	1011306	1001635	1002683	1022185	1009223
5000	5	1011314	1011310	1011317		
	10	1011315	1011311	1011318		
	15	1001797	1011312	1011319		
	30	1011316	1011313	1003375		



Primary conductor	4x120x10 mm
Round conductor	Ø 70 mm
Transformer width	206 mm

LV CURRENT TRANSFORMERS ADB127



Primary conductor	6x10x125 mm
Round conductor	Ø 120 mm
Transformer width	205 mm

Secondary current		5A		
Primary current A	Burden VA	Accuracy class		
		1 Art.-no.	0.5 Art.-no.	0,5 Sealed Art.-no.
800	5	1011328	1011327	1011331
	10	1011329		
	15	1011330		
1000	5	1011336	1011333	1011340
	10	1011338	1011334	1011341
	15	1011339	1011335	1011342
1200	5	1011348	1011344	1011352
	10	1011349	1011345	1011353
	15	1011350	1011346	1011354
	30	1011351	1011347	1011355
1250	5	1011361	1011356	1011365
	10	1011362	1011357	1011366
	15	1011363	1011358	1011368
	30	1011364	1011360	1011367
1500	5	1011375	1011369	1011379
	10	1011376	1011370	1011380
	15	1011377	1011372	1011381
	30	1011378	1011373	1011382
1600	5	1011389	1011385	1011393
	10	1011390	1011386	1011394
	15	1011391	1011387	1011395
	30	1011392	1011388	1011396
2000	5	1011403	1011397	1011407
	10	1011404	1011398	1011408
	15	1011405	1011399	1011409
	30	1011406	101400	1011410
2500	5	1011415	1011411	1011418
	10	1011416	1011412	1011419
	15	1011417	1011413	1011420
	30	1006370	1011414	1011421
3000	5	1011428	1011423	1011432
	10	1011430	1011424	1011433
	15	1011429	1011425	1011434
	30	1011431	1011426	1011435
3200	5	1001441	1011437	1011447
	10	1011442	1011438	1011449
	15	1011443	1011439	1011451
	30	1011444	1005464	1011453
4000	5	1011460	1001456	1011464
	10	1011461	1011457	1011465
	15	1011462	1011458	1011467
	30	1011463	1011459	1011468
5000	5	1011471	1011469	1011476
	10	1011472	1011470	1011477
	15	1011473	1007379	1011478
	30	1011474	1007144	1011479

The background is a gradient of green, from a lighter shade at the top to a darker shade at the bottom. It features several thick, white, curved lines that flow across the frame. A fine halftone dot pattern is visible throughout the background.

SUMMATION CURRENT TRANSFORMERS

SUMMATION CURRENT TRANSFORMERS

When the currents in different feeders need to be metered with single meter or instrument, a summation transformer can be used. Summation current transformers are designed for summation of several synchronous A.C. currents in same phase belt.

The secondary circuits of the main C.Ts are to be connected to the corresponding marked primary terminals of the summation C.T. If the ratios of the main CTs are not equal, in order to obtain a correct vectorial sum, it is necessary to specify the ratio values of the individual main CTs.

In consumer installation, where there are more than one feeder, it is more economical to use summation metering and for this purpose, summation CT is required. 2 to 12 different currents of different feeders in the same phase can be summed. The standard primary & secondary currents are 5 or 1 amp.

Example:

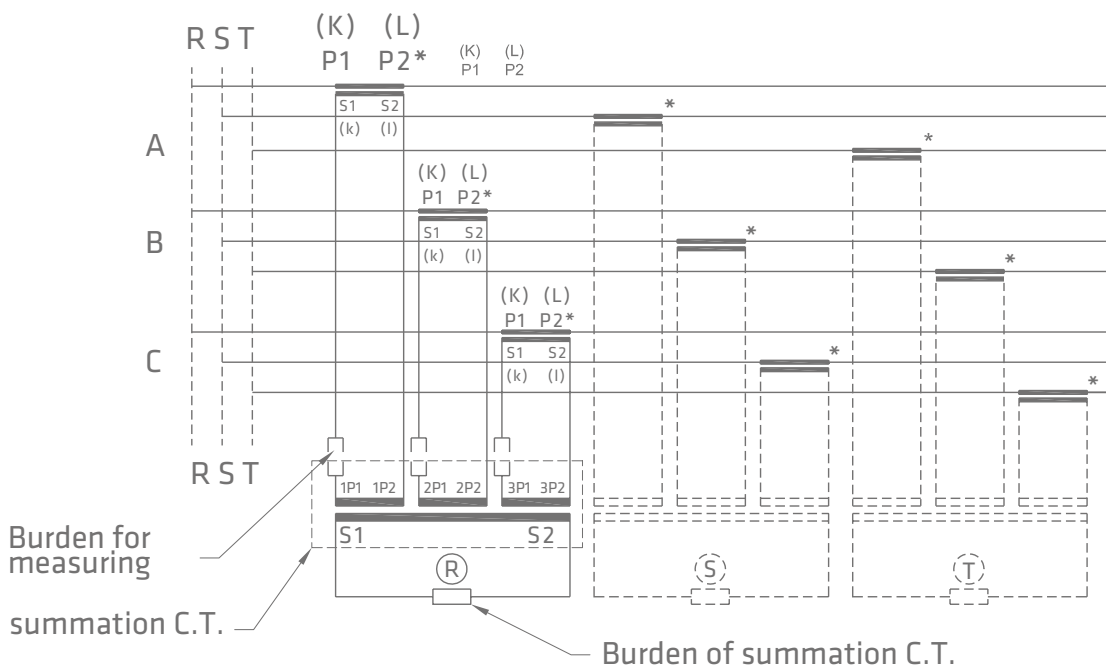
$$\begin{aligned} \text{Main C.T.} &: \frac{300 \text{ A}}{5} , \frac{100 \text{ A}}{1} , \frac{100 \text{ A}}{5} , \\ & \frac{5+1+5}{5} \\ \text{Summation C.T.} &: \frac{300+100+100}{5} \text{ A} \\ \text{Result C.T.} &: \text{---} : 100 \text{ "Ratio"} \\ & \quad \quad \quad 5 \end{aligned}$$

Type	Primary (A)	Rated power (VA) max	
		Class 0,5	Class 1
TA2-1	5+5/5	10	15
TA2-2		30	30
TA3-1	5+5+5/5	10	15
TA3-2		30	
TA4-2	5+5+5+5/5	30	30
TA 5-2	5+5+5+5+5/5	30	30
TA 6-2	5+5+5+5+5+5/5	30	30

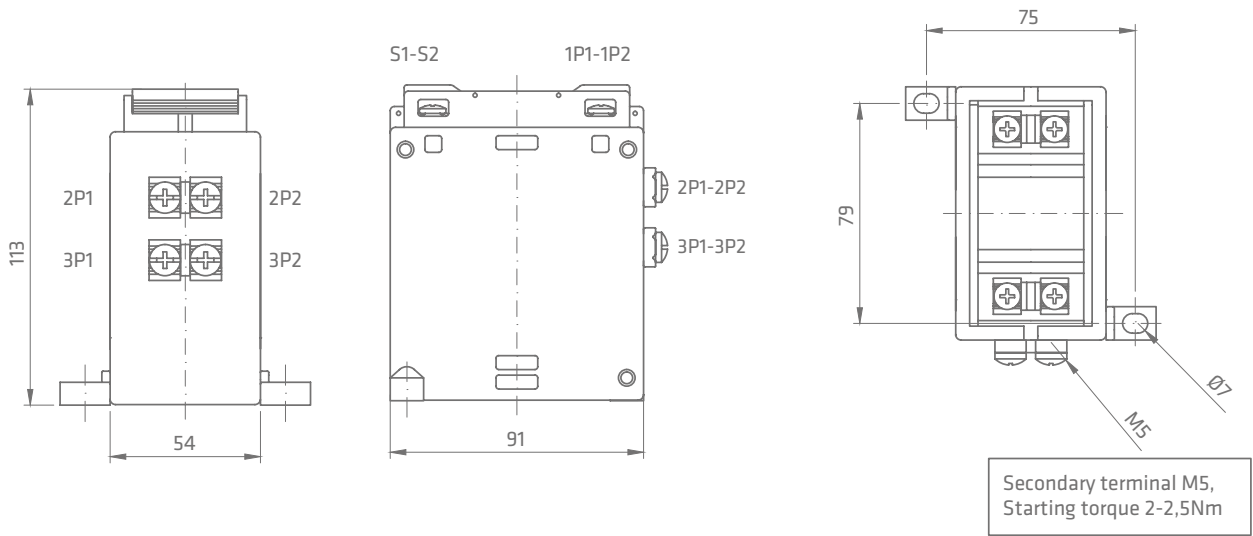
Connection diagram of summation current transformer:

(Type TA-3) One phase (R) of the three-phase A, B, C groups are shown in the picture

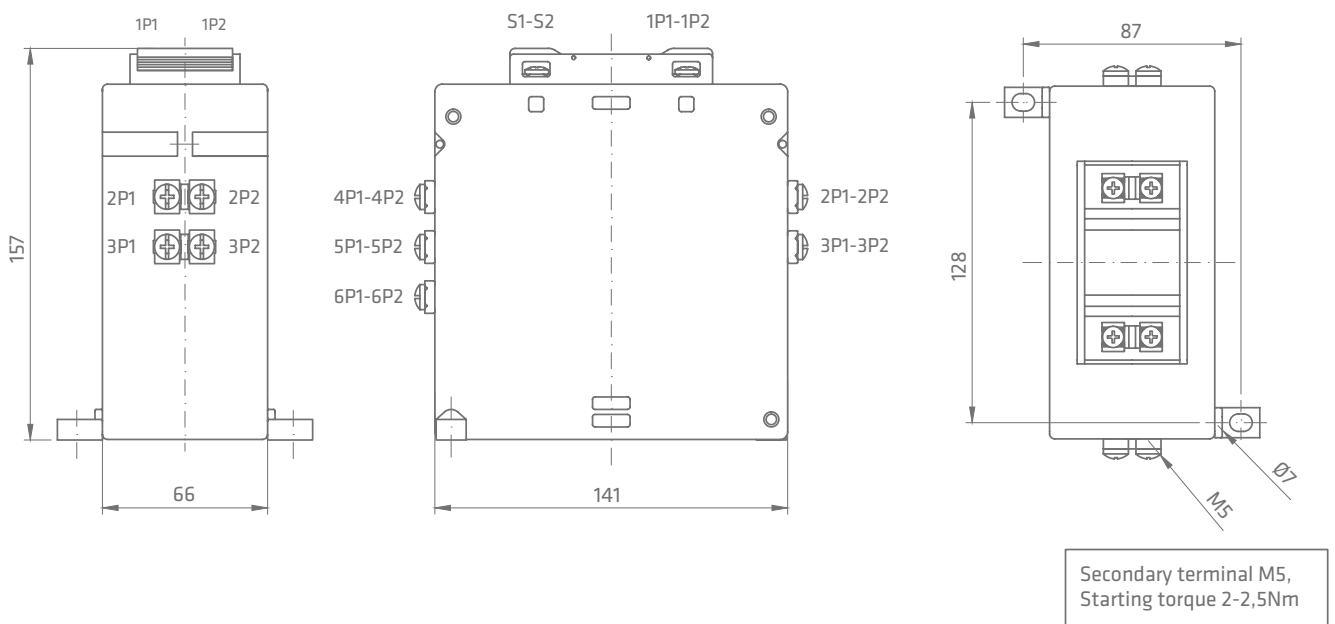
* Main current transformer



TA2-1, TA3-1



TA2-2, TA3-2, TA4-2, TA5-2, TA6-2

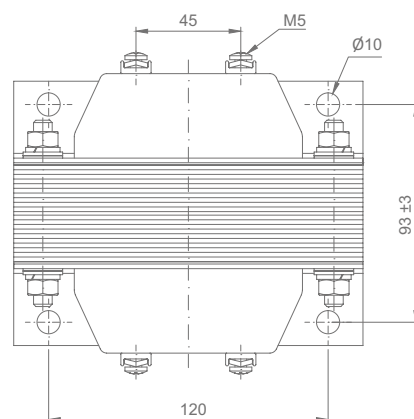
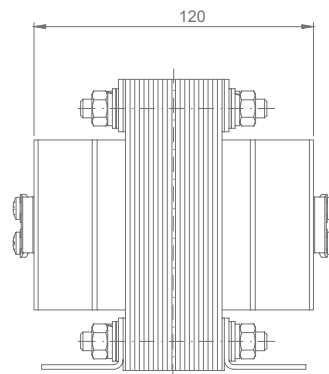
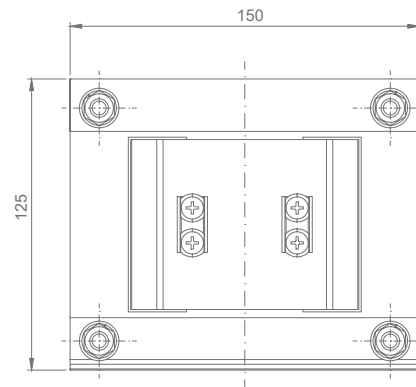


The background is a solid green color with a fine, repeating grid pattern. Overlaid on this are several white, curved lines that sweep across the page from the bottom left towards the top right. The lines vary in thickness and curvature, creating a sense of motion and depth.

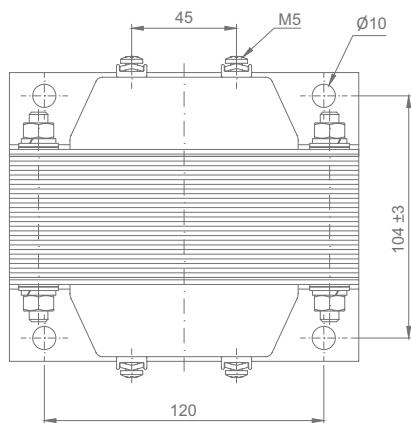
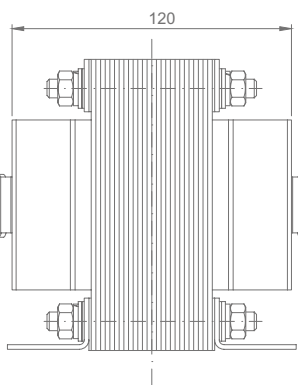
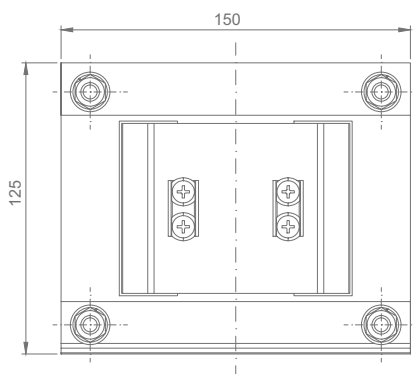
LV VOLTAGE TRANSFORMERS

Type	VM-1		
Secondary rated voltage V	100/ $\sqrt{3}$, 110/ $\sqrt{3}$, 120/ $\sqrt{3}$		
Accuracy class	0.2	0.5	1
Primary rated voltage V	Burden VA		
100/ $\sqrt{3}$	-	10	20
110/ $\sqrt{3}$			
220/ $\sqrt{3}$			
380/ $\sqrt{3}$	1	15	30
400/ $\sqrt{3}$			
500/ $\sqrt{3}$			
600/ $\sqrt{3}$			
800/ $\sqrt{3}$			
1000/ $\sqrt{3}$			

Type	VM-1		
Secondary rated voltage V	100, 110, 120		
Accuracy class	0.2	0.5	1
Primary rated voltage V	Burden VA		
100	-	15	30
110			
220			
380	1	20	45
400			
500			
600			
800			
1000			



LV VOLTAGE TRANSFORMERS
VM-2

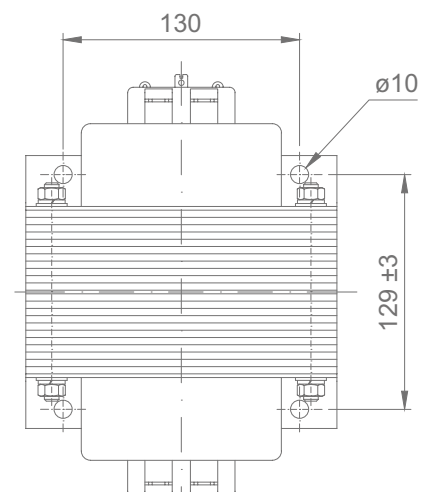
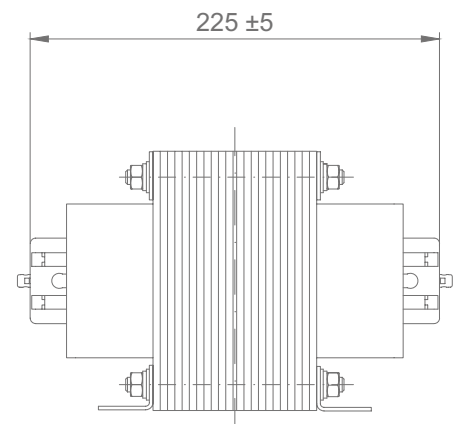
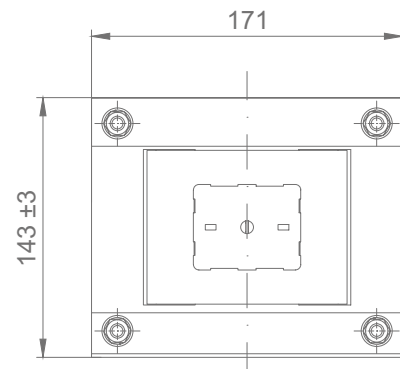


Type	VM-2		
Secondary rated voltage V	100/√3, 110/√3, 120/√3		
Accuracy class	0.2	0.5	1
Primary rated voltage V	Burden VA		
100/√3	-	15	30
110/√3			
220/√3			
380/√3	1.5	30	60
400/√3			
500/√3			
600/√3			
800/√3			
1000/√3			

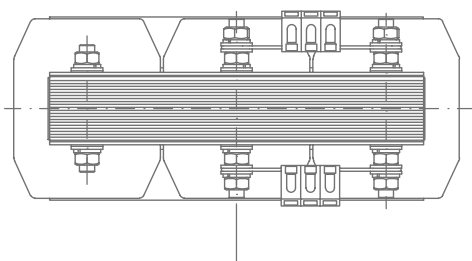
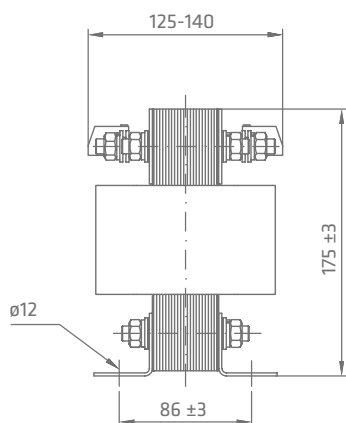
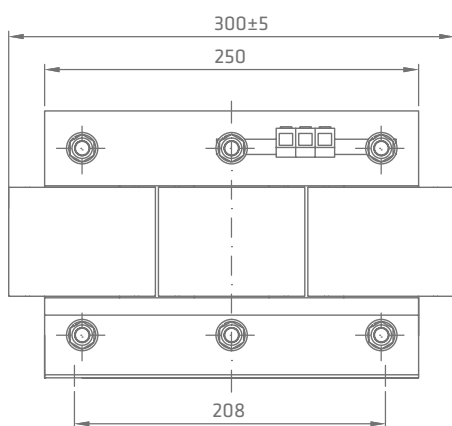
Type	VM-2		
Secondary rated voltage V	100, 110, 120		
Accuracy class	0.2	0.5	1
Primary rated voltage V	Burden VA		
100	-	30	60
110			
220			
380	1.5	30	60
400			
500			
600			
800			
1000			

Type	VM-F		
Secondary rated voltage V	100/√3, 110/√3, 120/√3		
Accuracy class	0.2	0.5	1
Primary rated voltage V	Burden VA		
100/√3	5	30	60
110/√3			
220/√3			
380/√3	15	50	100
400/√3			
500/√3			
600/√3			
800/√3			
1000/√3			

Type	VM-F		
Secondary rated voltage V	100, 110, 120		
Accuracy class	0.2	0.5	1
Primary rated voltage V	Burden VA		
100	5	30	60
110			
220			
380	15	50	100
400			
500			
600			
800			
1000			



LV VOLTAGE TRANSFORMERS
3VM-1

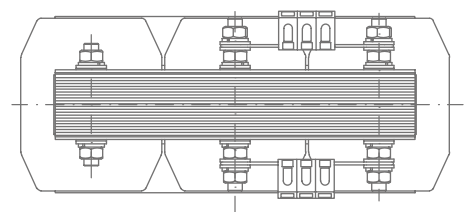
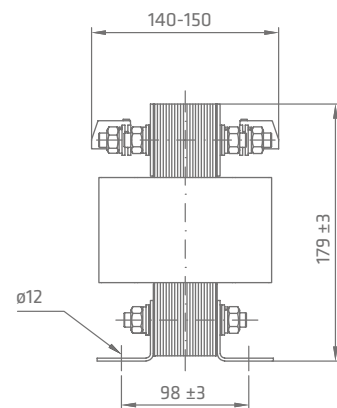
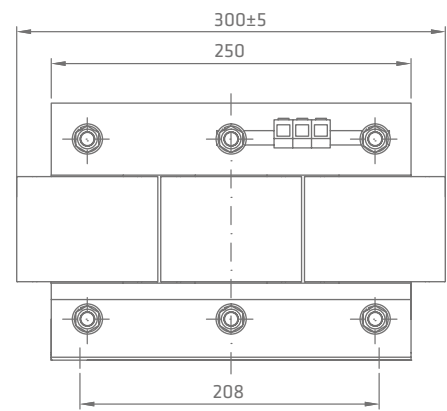


Type	3VM-1		
Secondary rated voltage V	100/√3, 110/√3, 120/√3		
Accuracy class	0.2	0.5	1
Primary rated voltage V	Burden VA		
100/√3	-	10	20
110/√3			
220/√3			
380/√3	1	15	30
400/√3			
500/√3			
600/√3			
800/√3			
1000/√3			

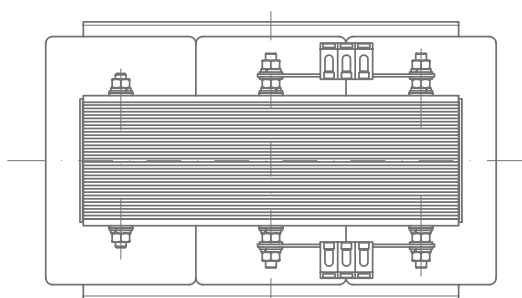
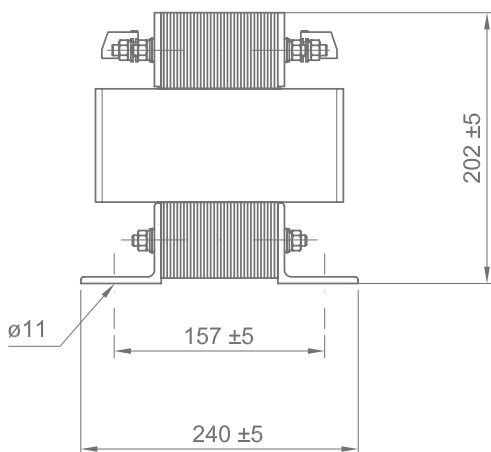
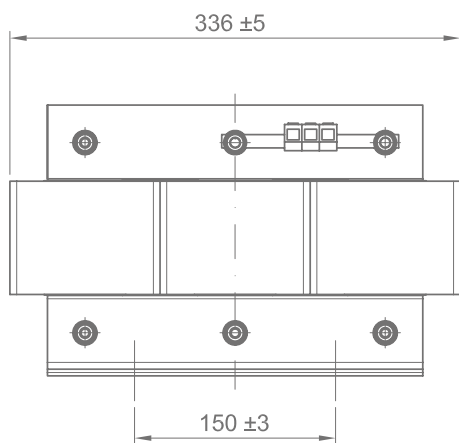
Type	3VM-1		
Secondary rated voltage V	100, 110, 120		
Accuracy class	0.2	0.5	1
Primary rated voltage V	Burden VA		
100	1	15	30
110			
220			
380	1	20	45
400			
500			
600			
800			
1000			

Type	3VM-2		
Secondary rated voltage V	100/√3, 110/√3, 120/√3		
Accuracy class	0.2	0.5	1
Primary rated voltage V	Burden VA		
100/√3	-	15	30
110/√3			
220/√3			
380/√3	1.5	30	60
400/√3			
500/√3			
600/√3			
800/√3			
1000/√3			

Type	3VM-2		
Secondary rated voltage V	100, 110, 120		
Accuracy class	0.2	0.5	1
Primary rated voltage V	Burden VA		
100	-	30	60
110			
220			
380	1.5	30	60
400			
500			
600			
800			
1000			



LV CURRENT TRANSFORMERS
3VM-F



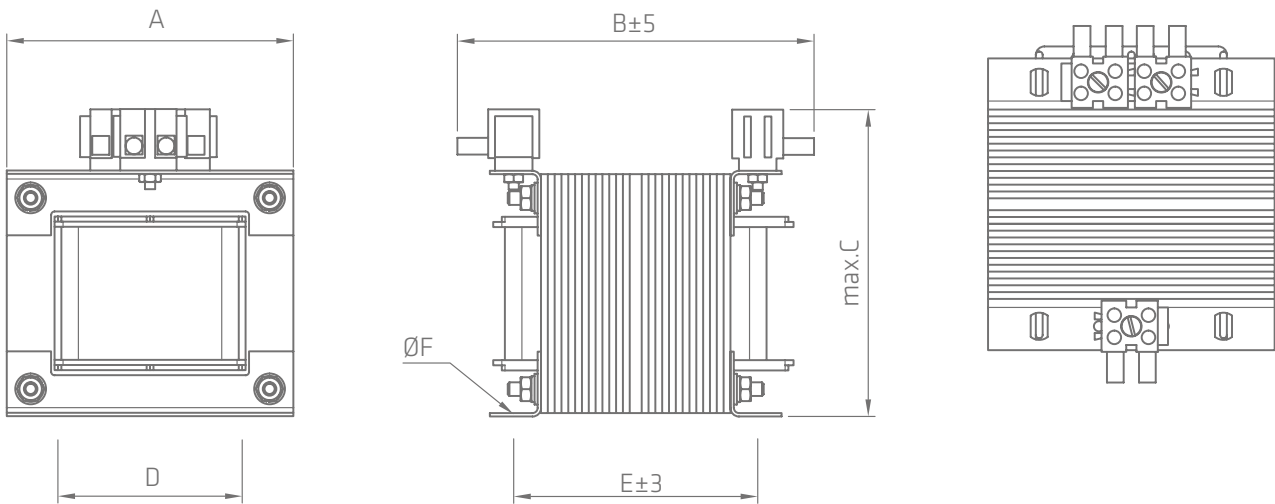
Type	3VM-F		
Secondary rated voltage V	100/√3, 110/√3, 120/√3		
Accuracy class	0.2	0.5	1
Primary rated voltage V	Burden VA		
100/√3	5	30	60
110/√3			
220/√3			
380/√3	15	50	100
400/√3			
500/√3			
600/√3			
800/√3			
1000/√3			

Type	3VM-F		
Secondary rated voltage V	100, 110, 120		
Accuracy class	0.2	0.5	1
Primary rated voltage V	Burden VA		
100	5	30	60
110			
220			
380	15	50	100
400			
500			
600			
800			
1000			

According to IEC 61558-2-4

Model: Open transformers, separate windings, IP00 type protection.

- Operating Voltage : 0.72 / 3 kV
- Primary : 100 V or 600 V \pm %5
- Secondary : 24 V up to 800 VA
48 V up to 1000 VA
110 V up to 2500 VA
220 V up to 5000 VA



Type	Nominal Rating VA	Short Time Rating cos ϕ =0,5 VA	%Uk	Weight kg	Dimensions (mm)					
					A	B \pm 5	C (max.)	D	E \pm 3	F \pm 2
MKT-50	50	130	9	1,5	84	95	77	54	47	5
MKT-100	100	225	7	1,9	84	119	76	54	71	5
MKT-160	160	530	6,54	2,4	96	108	84	80	67	5,5
MKT-250	250	730	5,45	3,9	108	123	113	78	74	5,5
MKT-320	320	1050	6	4	108	128	113	78	78	5,5
MKT-400	400	1430	5,45	5,4	120	143	124	90	86	6
MKT-500	500	1900	3,6	8,5	150	150	144	120	110	10
MKT-630	630	2500	3,5	8,8	150	160	144	120	110	10
MKT-800	800	3100	3,5	10,5	150	174	144	120	125	10
MKT-1000	1000	3500	3,3	14,3	150	195	145	120	150	10
MKT-1600	1600	4800	2,4	16,3	171	184	160	130	125	10
MKT-2500	2500	7500	2,1	28,5	192	224	177	149	170	10
MKT-3600	3600	11000	1,9	42	250	204	222	200	158	12
MKT-4000	4000	12300	1,9	45	250	213	222	200	167	12
MKT-5000	5000	15150	1,9	53	250	233	222	200	187	12



ALCE Elektrik Sanayi ve Ticaret A.Ş.
Ramazanoğlu Mah. Transtek Cad. No:6
Pendik 34906 İstanbul, TURKEY
T +90-216- 585 42 00 F +90-216- 378 23 27
www.alce-elektrik.com.tr | info@alce-elektrik.com.tr

